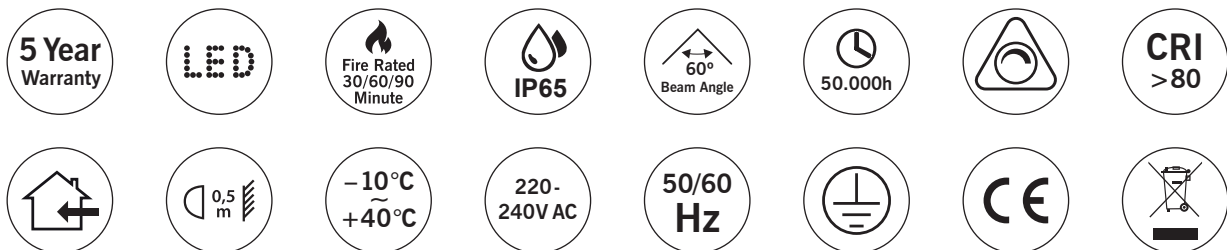


Fixed Fire Rated Downlight 8 in 1

 Product Code **DL-5W-7W-4CCT-FR-WH**

Voltage	220–240 V _{AC}
Bezel Colour	White Black Brushed Nickel Brass Chrome
Bezel Colour Codes	WH BL BN BR CH
LED Colour	4CCT (6000K, 4000K, 3000K, 2700K)
Total Output Wattage	5W to 7W
LED Chip Brand and Type	Philips LUMILEDS SMD LED 2835
Total Light Output	5W: 600 Lm / 7W: 840 Lm
Energy Efficiency	120 Lm/W
Driver Type	Non-Isolated
Dimming Technology	Trailing Edge and Leading Edge
Beam Angle	60°
Fire Rating	30 / 60 / 90 minute Ceilings
IP Rating	IP65
Product Dimensions	Ø 87 × 39 mm
Bezel Dimensions	Ø 87 × 10 mm
Installation Depth	29 mm
Cutout Size	Ø 68 mm
Mounting	Recessed
CRI	> 80
UGR	< 25
Frequency	50/60 Hz
Working Temperature	-10 to +40 °C
LED Life	50,000 hours
Power Factor	0.8
Energy Rating	E
Net Weight	0.22 kg
Gross Weight	0.24 kg
Warranty	5 Years



WARNING

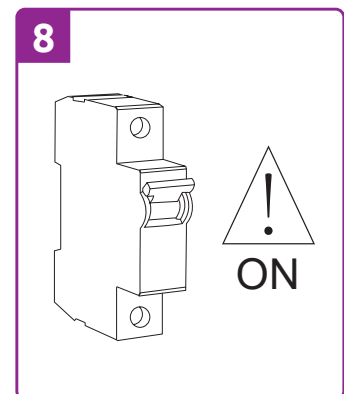
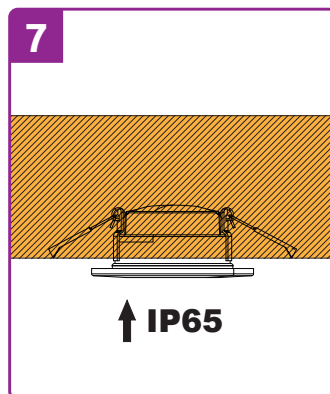
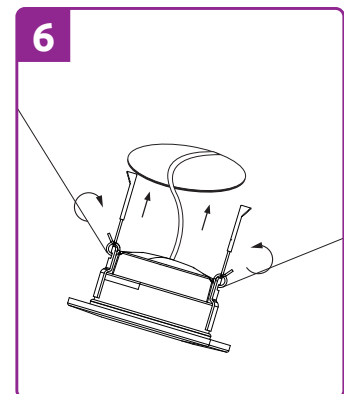
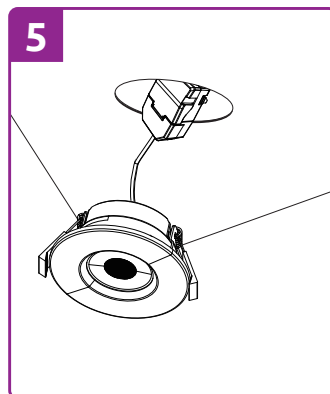
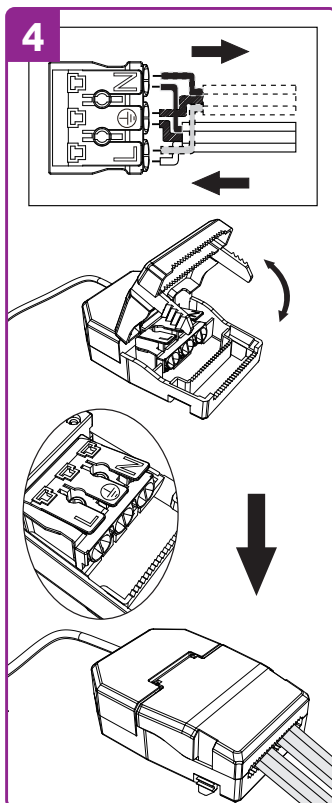
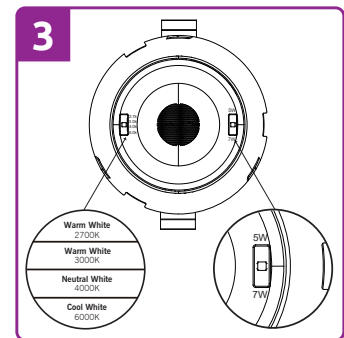
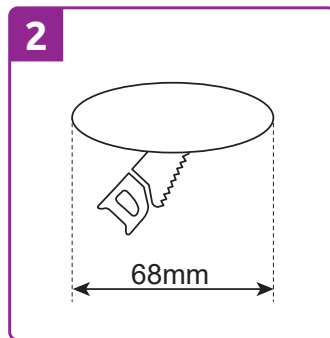
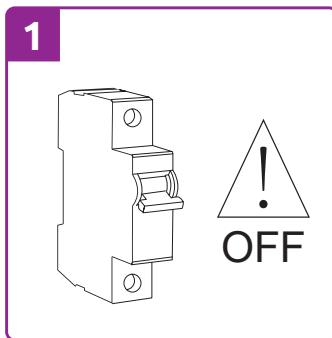
1. Installation must only be carried out by a qualified electrician.
2. Ensure the surface is suitable and capable of supporting the luminaire and driver weight.
3. Pre-cut the hole before installation (see the chart below for hole diameter).
4. Do not operate if the product is damaged.
5. IP65-rated front, suitable for bathroom zones 1 and 2.
6. This product is suitable for fire-rated installations. It is Part L Compliant with UK Building Regulations and Part B Compliant (BS 476, Parts 21 and 22), suitable for: 30 minutes (I-Joist, Open Web Joist, Solid Timber Joist), 60 minutes (Solid Timber Joist), 90 minutes (Solid Timber Joist).



1. This product must be installed by a qualified electrician in accordance with the instructions provided and in compliance with recognised electrical and safety regulations relevant to the country of installation.
2. The product and its associated control gear are designed to operate on 220-240 volts, 50Hz.
3. This downlighter range is designed for installation in a ceiling tile or solid material with a minimum thickness of 3mm.
4. This product is for indoor use only and should not be covered with insulation material at any time.
5. A minimum clearance of 35mm must be maintained above the installed fitting, and no product should be installed within 35mm of any joist.

SPECIFIC INSTALLATION DETAILS

1. Ensure the AC/mains power is disconnected and cannot be reconnected during installation.
2. For new installations, use cutting tools suitable for the material and carefully cut the required hole to allow installation.
3. For refurbishment installations, ensure that the existing hole is suitable and strong enough to support the new downlight. Support the surrounding area if required.
4. Connect the AC/mains cable to the driver using the marked terminals provided. Incoming cable connections are: L = Live power conductor (brown), N = Neutral power conductor (blue), \oplus = Earth power conductor (yellow and green). The driver provided is Class I.
5. Remove the downlighter from the box and connect it to the driver via the connection system provided.
6. Raise the springs and place the downlighter into the tile cut-out, ensuring that neither the driver nor the mains power cable is trapped.
7. Once correctly connected, position the downlighter fully into the aperture so that the outer flange is flush with the installed ceiling tile or solid material.



WARRANTY

At TradeLED, we offer a 5-year warranty on this product from the date of purchase. This warranty will be invalid in cases of improper use, incorrect installation, tampering, removal of the batch code label, installation in an unsuitable working environment, or failure to comply with the current edition of the IEE Wiring Regulations (BS 7671). If this product fails within the guarantee period, it will be replaced free of charge, provided it was correctly installed and the faulty unit is returned. Please note that TradeLED is not responsible for any installation costs associated with replacing the product. TradeLED reserves the right to alter product specifications without prior notification.