



Fixed Fire Rated Downlight 8 in 1

Product Code **DL-5W-7W-4CCT-FR-WH**



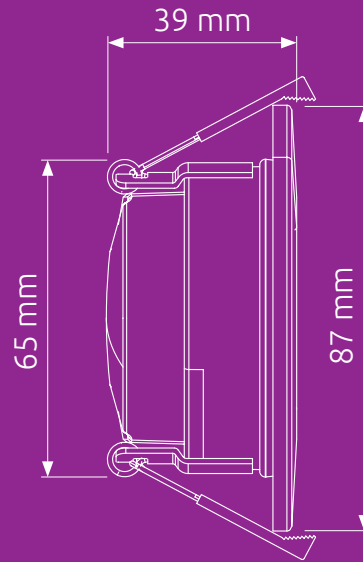
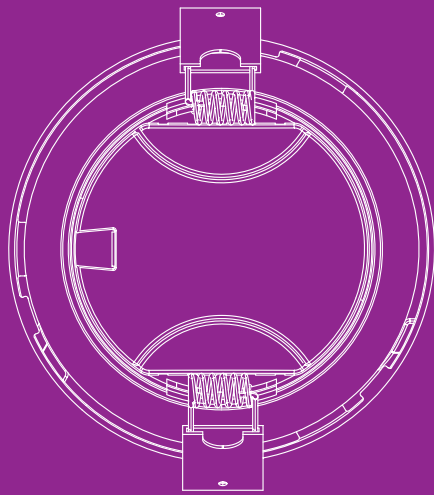
The 8-in-1 LED Downlight offers switchable 5W and 7W power settings and four colour temperatures (6000K, 4000K, 3000K, 2700K), adjustable after installation from under the ceiling. With an IP65 rating and fire resistance for 30, 60, and 90-minute ceilings, it is perfect for kitchens, bathrooms, and other spaces. The slim 39mm profile fits shallow ceiling voids, and its dimmable functionality ensures versatile lighting control. Supplied with a white bezel as standard, it is also available in Black, Brushed Nickel, Brass, and Chrome finishes, with bespoke colours available (subject to additional cost, lead time and MOQ).

IP65 Rated
Dimmable
8-in-1 Versatility
Slim 39mm Profile
Power & CCT Adjustable
Fire Rated Up to 90 Minutes
5 Year Warranty*



* Faulty units will be replaced under warranty, providing they are returned. The warranty does not cover any labour costs involved.

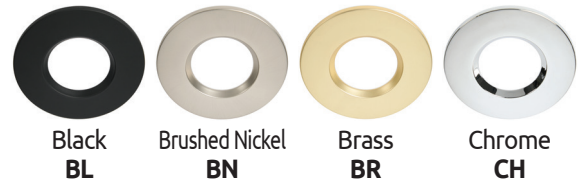
**TradeLED Limited reserve the right to change this information at any time without notice. Sample photograph, actual product not shown. Result achieved may vary.



SPECIFICATION

Product Code	DL-5W-7W-4CCT-FR-WH
Bezel Colour	White (WH in product code)
LED Colour	4CCT (6000K, 4000K, 3000K, 2700K)
Total Output Wattage	5W to 7W
LED Chip Brand and Type	Philips LUMILEDS SMD LED 2835
Total Light Output	5W: 600 Lm / 7W: 840 Lm
Energy Efficiency	120 Lm/W
Driver Type	Non-Isolated
Dimming Technology	Trailing Edge and Leading Edge
Beam Angle	60°
Input Voltage	220–240 V _{AC}
Fire Rating	30 / 60 / 90 minute Ceilings
IP Rating	IP65
Product Dimensions	Ø 87 × 39 mm
Bezel Dimensions	Ø 87 × 10 mm
Installation Depth	29 mm
Cutout Size	Ø 68 mm
Mounting	Recessed
CRI	> 80
UGR	< 25
Frequency	50/60 Hz
Working Temperature	-10 to +40 °C
LED Life	50,000 hours
Power Factor	0.8
Energy Rating	E
Net Weight	0.22 kg
Gross Weight	0.24 kg
Warranty	5 Years

OTHER BEZEL COLOURS



DOWN LIGHT PREVIEW

